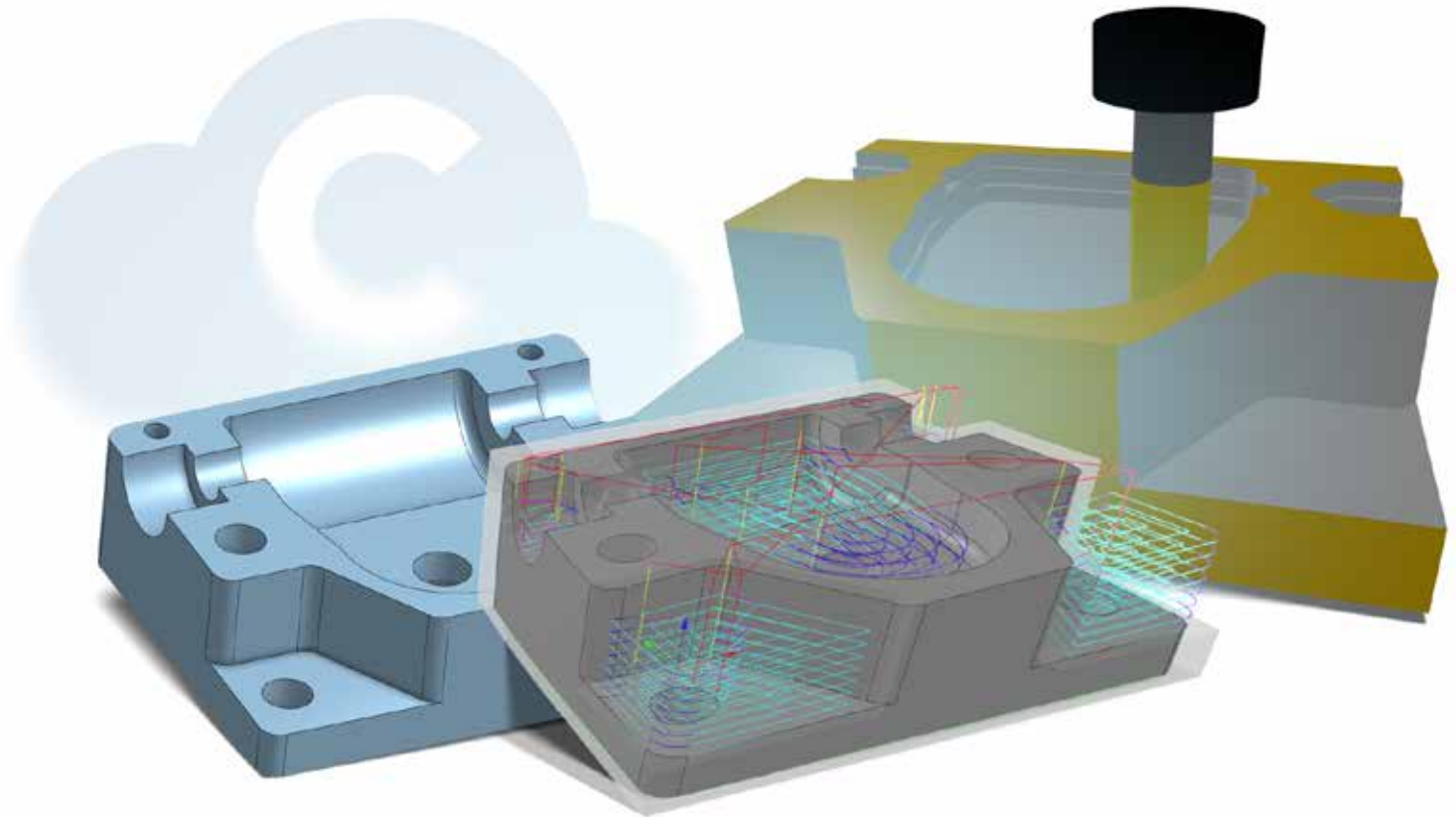


VisualCAM[®]

Production CAM Software for Onshape



Create 2 1/2, 3 Axis and 3+2 Axis milling cutter paths for Onshape design models.

- Full cloud application
- Web-browser hosted User Interface
- No downloads or Installs
- Run from any machine, anywhere, any time

2 1/2-Axis Milling	3 Axis Milling
Facing	Horizontal Roughing
Pocketing	Parallel Finishing
Profiling	Horizontal Finishing
Engraving	Radial Finishing
V-Carveing	Spiral Finishing
V-Carve Roughing	Hole Making
High Speed Pocketing	Drilling
Chamfering	Tapping
Hole Profiling	Boring
Hole Pocketing	Reverse Boring
T-Slotting	User Defined Cycles
Slotting	Tools
Thread Milling	Standard Tools (Ball, Flat, C Rad., Vee, Drill)
	Advanced Tools (Taper, Tap, Bore, R. Bore)