

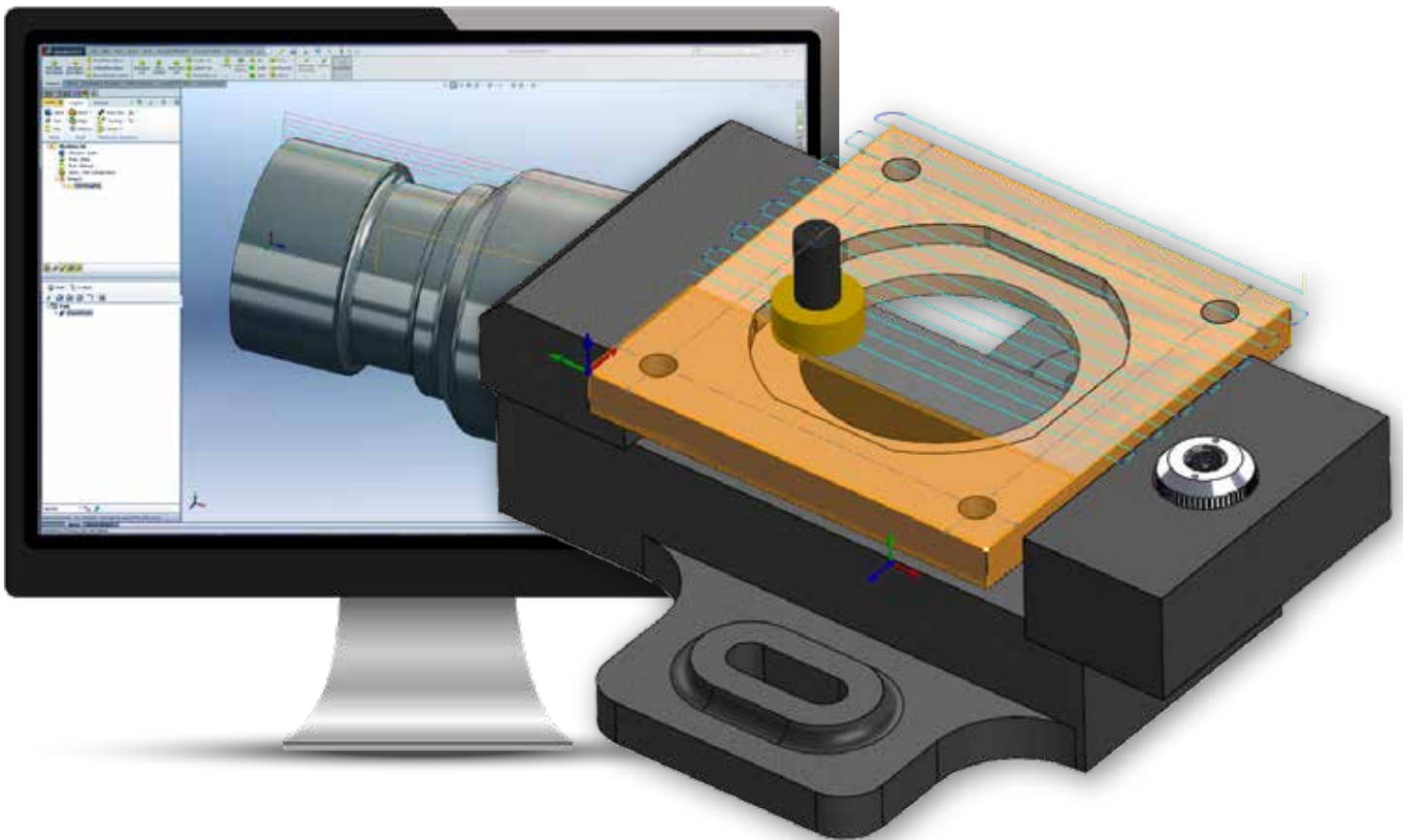
MecSoft Corporation  
Your CAM Partner

MecSoft

# VisualCAM 2019 for SOLIDWORKS®

*Computer Aided Manufacturing inside SOLIDWORKS®*

Powerful | Easy To Learn | Easy To Use | Value Priced



*A complete CNC programming system running fully inside SOLIDWORKS for rapid prototyping, mold & die, tooling, wood working, general machining, hobby & education*

VisualCAM's MILL module includes powerful 2.5, 3, 4 and 5 axis machining functionality to program CNC mills. Comes with hundreds of free post-processors and the ability to create new ones.

VisualCAM's TURN module is a complete 2 axis CNC turning center programming system, including Roughing, Finishing, Grooving and other machining methods and also free post-processors.

# VisualMILL 2019 for SOLIDWORKS

VisualMILL is one of the two modules in the the VisualCAM for SOLIDWORKS product suite that is used for programming CNC mills. It includes 2.5, 3, 4 and 5 axis machining functionality. It comes with hundreds of free post-processors and a post-processor generator to create your own.



## Configurations

### MILL Xpress (XPR)

A program ideal for hobbyists, makers and students, suitable for getting started with CAM programming. Includes 2 & 3 axis machining methods.

### MILL Professional (PRO)

For demanding users with sophisticated requirements such as mold, die & tooling, woodworking industries. Includes all of EXP plus indexed 5 axis machining and advanced 3 axis machining methods.

### MILL Standard (STD)

A multi-purpose program ideal for production, rapid prototyping, panel-processing & general machining, where ease of use and a complete tool set is important. Includes 2 and 3 axis machining methods.

### MILL Expert (EXP)

Includes all of STD functionality plus a wider range of 2, 3 axis methods as well as 4 axis Indexed and continuous roughing and finishing operations as well as advanced simulation.

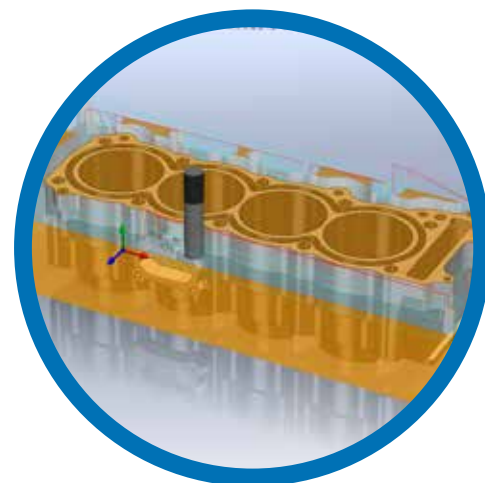
### MILL Premium (PRE)

For demanding users with highly sophisticated manufacturing requirements such as aerospace, advanced mold making and woodworking. All of PRO functionality plus continuous 5 Axis machining.

2 1/2-Axis Milling	XPR	STD	EXP	PRO	PRE
Pocketing	●	●	●	●	●
Profiling	●	●	●	●	●
Facing	●	●	●	●	●
Engraving	●	●	●	●	●
V-Carving	●	●	●	●	●
V-Carve Roughing	●	●	●	●	●
Automatic Feature Detection	●	●	●	●	●
Automatic Feature Machining	●	●	●	●	●
Slot Milling	●	●	●	●	●
2-Axis Roughing	●	●	●	●	●
High Speed Pocketing	●	●	●	●	●
Chamfering	●	●	●	●	●
Hole Making	●	●	●	●	●
T-Slot Milling	●	●	●	●	●
Thread Milling	●	●	●	●	●
Drag Knife Cutting	●	●	●	●	●
Re-machining	●	●	●	●	●
3 Axis Milling	XPR	STD	EXP	PRO	PRE
Horizontal Roughing	●	●	●	●	●
Parallel Finishing	●	●	●	●	●
3 Axis Feature Detection	●	●	●	●	●
3 Axis Feature Machining	●	●	●	●	●
Horizontal Finishing	●	●	●	●	●
Radial Machining	●	●	●	●	●
Spiral Machining	●	●	●	●	●
Clear Flats Machining	●	●	●	●	●
Plunge Roughing	●	●	●	●	●
Horizontal Re-roughing	●	●	●	●	●
Plunge Re-roughing	●	●	●	●	●
Projection Pocketing	●	●	●	●	●
3D Offset Profiling	●	●	●	●	●
3D Offset Pocketing	●	●	●	●	●
Pencil Tracing	●	●	●	●	●
Valley Re-Machining	●	●	●	●	●
Plateau Machining	●	●	●	●	●
Steep Area Parallel Machining	●	●	●	●	●
Horizontal Hill Machining	●	●	●	●	●
Curve Machining	●	●	●	●	●
Between 2 Curves Machining	●	●	●	●	●
Reverse Post Machining	●	●	●	●	●

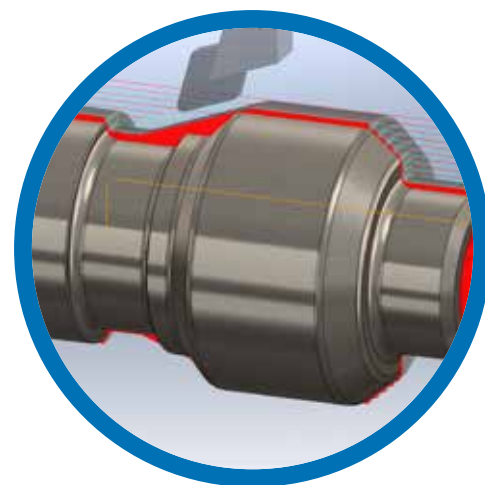
4 Axis Milling	XPR	STD	EXP	PRO	PRE
4 Axis Indexed Machining	●	●	●	●	●
4 Axis Create Round Stock	●	●	●	●	●
4 Axis Auto Multiple Indexing	●	●	●	●	●
4 Axis Continuous Facing	●	●	●	●	●
4 Axis Continuous Pocketing	●	●	●	●	●
4 Axis Continuous Profiling	●	●	●	●	●
4 Axis Continuous Engraving	●	●	●	●	●
4 Axis Parallel Roughing	●	●	●	●	●
4 Axis Parallel Finishing	●	●	●	●	●
4 Axis Radial Finishing	●	●	●	●	●
4 Axis Projection Pocketing	●	●	●	●	●
4 Axis Drive Surface Machining	●	●	●	●	●
5 Axis Milling	XPR	STD	EXP	PRO	PRE
5 Axis Indexed Machining	●	●	●	●	●
Locked 4 Axis Machining	●	●	●	●	●
5 Axis Curve Projection Machining	●	●	●	●	●
5 Axis Flow Curve Machining	●	●	●	●	●
5 Axis Between 2 Curves Machining	●	●	●	●	●
5 Axis Drive Curve Machining	●	●	●	●	●
5 Axis Surface Normal Machining	●	●	●	●	●
5 Axis Swarf Machining	●	●	●	●	●
Hole Making	XPR	STD	EXP	PRO	PRE
Automatic Hole Selection, Sorting	●	●	●	●	●
Drilling	●	●	●	●	●
Tapping	●	●	●	●	●
Boring	●	●	●	●	●
Reverse Boring	●	●	●	●	●
User Defined Cycles	●	●	●	●	●
4 Axis Drilling	●	●	●	●	●
4 Axis Tapping	●	●	●	●	●
4 Axis Boring	●	●	●	●	●
4 Axis Reverse Boring	●	●	●	●	●
Simulation	XPR	STD	EXP	PRO	PRE
Toolpath Animation	●	●	●	●	●
Cut Material Simulation	●	●	●	●	●
Advanced Cut Material Simulation	●	●	●	●	●
Machine Tool Simulation	●	●	●	●	●
Tools	XPR	STD	EXP	PRO	PRE
Standard Mills (Ball, Flat, C Rad., Vee)	●	●	●	●	●
Standard Drills (Drill, Tap, Bore, Rev. Bore)	●	●	●	●	●
Holder Collision Detection	●	●	●	●	●
Form Tools	●	●	●	●	●

Toolpath Editing	XPR	STD	EXP	PRO	PRE
Toolpath Graphical Viewing	●	●	●	●	●
Toolpath Graphical Editing	●	●	●	●	●
Toolpath Instancing	●	●	●	●	●
Toolpath Arc Fitting	●	●	●	●	●
Feed Rate Optimization	●	●	●	●	●
Post Processor Generator	XPR	STD	EXP	PRO	PRE
Customizable Post Generator	●	●	●	●	●
Simulate Cycles	●	●	●	●	●
Arc Output	●	●	●	●	●
Helix Output	●	●	●	●	●
Spiral Output	●	●	●	●	●
5 Axis Output	●	●	●	●	●
Miscellaneous	XPR	STD	EXP	PRO	PRE
64 Bit	●	●	●	●	●
HTML Based Shop Documentation	●	●	●	●	●
Stepped Tooling	●	●	●	●	●
Knowledge Base	●	●	●	●	●
Default Knowledge Base	●	●	●	●	●
Avoid/Pre-Defined Regions	●	●	●	●	●
Machine Control Operations	●	●	●	●	●
Explode Cabinet Model	●	●	●	●	●
Rotate Table Setups	●	●	●	●	●
Multiple Setups	●	●	●	●	●
Fixture Offset Programming	●	●	●	●	●
Check Surface Boundary Creation	●	●	●	●	●
Tool Silhouette Boundary Creation	●	●	●	●	●
Tool Double Contact Boundary Creation	●	●	●	●	●
Tool Holder Collision Boundary Creation	●	●	●	●	●



# VisualTURN 2019 for SOLIDWORKS

The TURN module in VisualCAM for SOLIDWORKS is used to program 2-axis CNC turning centers or lathes. Includes powerful 2 Axis turning machining methods to handle complex programming tasks. Just as in the MILL module, the easy interface, allows a user to machine a part in very short time. One of the best value packed lathe products available today.

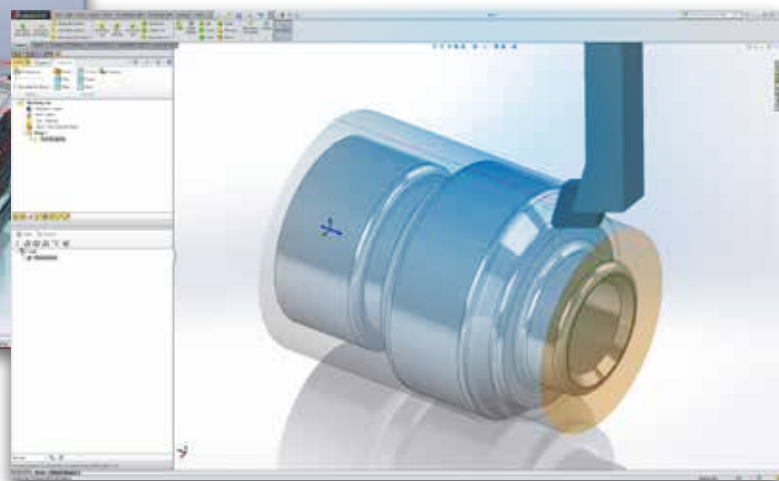
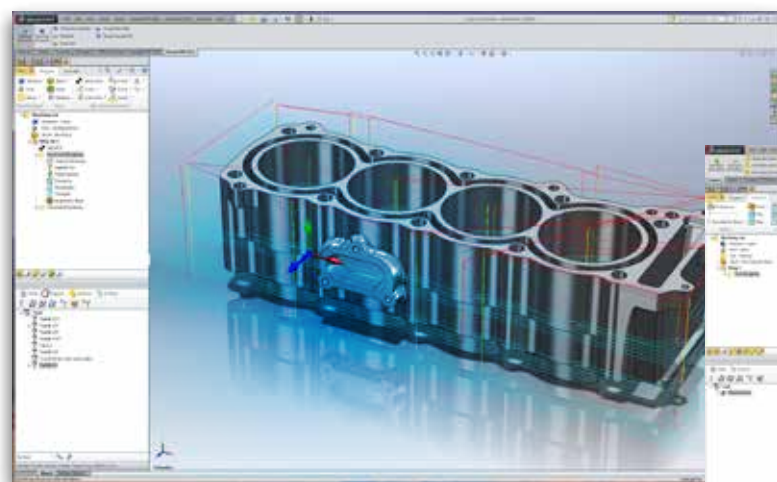


2 Axis Turning	VisualTURN
Roughing	●
Finishing	●
Groove Roughing	●
Groove Finishing	●
Threading	●
Follow Curve	●
Parting Off	●
Upgraded 3D Model Slicing	●
Global Part Object	●
Materials for Stock Models	●
Knowledge Base Loading and Saving	●
Tool Path Viewer	●
MopSets	●
Machine Control Operations	●
Fixture Offset Operations	●
Drag and drop operations from Knowledge Base	●
Diameter Programming	●

Hole Making	VisualTURN
Drilling	●
Tapping	●
Boring	●
Reverse Boring	●

Toolpath Simulation	VisualTURN
Toolpath Animation	●
Cut Material Simulation	●
Part to Stock Comparison	●

Post-Processor Generator	VisualTURN
User customizable post-processor generator	●



## System Requirements

- Runs on both 32 bit & 64 bit versions of SOLIDWORKS DESIGN
- SOLIDWORKS Versions: 2011 thru 2019
- CPU: Pentium class or higher processor
- RAM: Minimum: 4GB, Recommended: 8GB or higher
- Disk: 700 MB of free disc space
- Graphics: Requires OpenGL, Recommended OpenGL 2

## Other

- Free Technical Support
- Training
- Support Forum
- Maintenance Services
- Value Pricing