

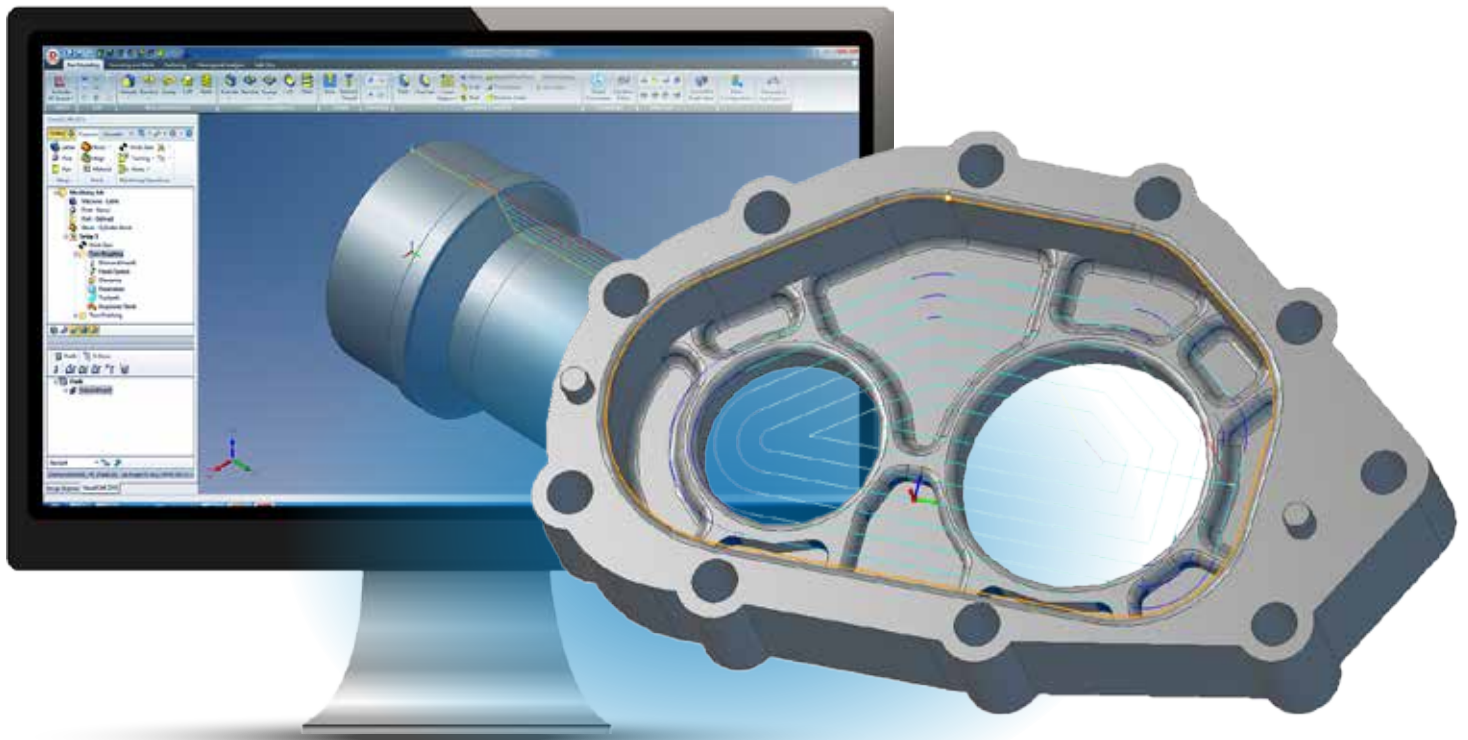
MecSoft Corporation
Your CAM Partner

MecSoft

AlibreCAM 2018

Computer Aided Manufacturing inside Alibre Design® 2018

Powerful | Easy To Learn | Easy To Use | Value Priced



A complete CNC programming system running fully inside Alibre Design for rapid prototyping, mold & die, tooling, wood working, general machining, hobby & education

Includes MILL & TURN Modules

AlibreCAM's MILL module includes powerful 2.5, 3, 4 and 5 axis machining functionality to program CNC mills. Comes with hundreds of free post-processors and the ability to create new ones.

AlibreCAM's TURN module is a complete 2 axis CNC turning center programming system, including Roughing, Finishing, Grooving and other machining methods and also free post-processors.

AlibreCAM - MILL

AlibreCAM - MILL is used for programming CNC mills. It is ideal for rapid-prototyping, mold & die, tooling, wood working, general machining, hobby and education and includes 2.5, 3, 4 and 5 axis machining functionality. It comes with hundreds of free post-processors and a post-processor generator to create your own.



Configurations

MILL Xpress (XPR)

A program ideal for hobbyists, makers and students, suitable for getting started with CAM programming. Includes 2 & 3 axis machining methods.

MILL Professional (PRO)

For demanding users with sophisticated requirements such as mold, die & tooling, woodworking industries. Includes all of EXP plus indexed 5 axis machining and advanced 3 axis machining methods.

MILL Standard (STD)

A multi-purpose program ideal for production, rapid prototyping, panel-processing & general machining, where ease of use and a complete tool set is important. Includes 2 and 3 axis machining methods.

MILL Expert (EXP)

Includes all of STD functionality plus a wider range of 2, 3 axis methods as well as 4 axis Indexed and continuous roughing and finishing operations as well as advanced simulation.

MILL Premium (PRE)

For demanding users with highly sophisticated manufacturing requirements such as aerospace, advanced mold making and woodworking. All of PRO functionality plus continuous 5 Axis machining.

2 1/2-Axis Milling	XPR	STD	EXP	PRO	PRE
Pocketing	●	●	●	●	●
Profiling	●	●	●	●	●
Facing	●	●	●	●	●
Engraving	●	●	●	●	●
V-Carving	●	●	●	●	●
V-Carve Roughing		●	●	●	●
Slot Milling		●	●	●	●
2-Axis Roughing		●	●	●	●
High Speed Pocketing		●	●	●	●
Chamfering		●	●	●	●
Hole Making		●	●	●	●
T-Slot Milling		●	●	●	●
Thread Milling		●	●	●	●
Re-Machining				●	●
3 Axis Milling	XPR	STD	EXP	PRO	PRE
Horizontal Roughing	●	●	●	●	●
Parallel Finishing	●	●	●	●	●
Horizontal Finishing		●	●	●	●
Radial Machining		●	●	●	●
Spiral Machining		●	●	●	●
Clear Flats Machining				●	●
Plunge Roughing				●	●
Horizontal Re-roughing				●	●
Plunge Re-roughing				●	●
Projection Pocketing				●	●
3D Offset Profiling				●	●
3D Offset Pocketing				●	●
Pencil Tracing				●	●
Valley Re-Machining				●	●
Plateau Machining				●	●
Steep Area Parallel Machining				●	●
Horizontal Hill Machining				●	●
Curve Machining				●	●
Between 2 Curves Machining				●	●
Reverse Post Machining				●	●

4 Axis Milling	XPR	STD	EXP	PRO	PRE
4 Axis Indexed Machining			●	●	●
4 Axis Create Round Stock			●	●	●
4 Axis Auto Multiple Indexing			●	●	●
4 Axis Continuous Facing			●	●	●
4 Axis Continuous Pocketing			●	●	●
4 Axis Continuous Profiling			●	●	●
4 Axis Continuous Engraving			●	●	●
4 Axis Parallel Roughing			●	●	●
4 Axis Parallel Finishing			●	●	●
4 Axis Radial Finishing			●	●	●
4 Axis Projection Pocketing			●	●	●
4 Axis Drive Surface Machining			●	●	●

5 Axis Milling	XPR	STD	EXP	PRO	PRE
5 Axis Indexed Machining				●	●
Locked 4 Axis Machining					●
5 Axis Curve Projection Machining					●
5 Axis Flow Curve Machining					●
5 Axis Between 2 Curves Machining					●
5 Axis Drive Curve Machining					●
5 Axis Surface Normal Machining					●
5 Axis Swarf Machining					●

Hole Making	XPR	STD	EXP	PRO	PRE
Automatic Hole Selection, Sorting	●	●	●	●	●
Drilling	●	●	●	●	●
Tapping		●	●	●	●
Boring		●	●	●	●
Reverse Boring		●	●	●	●
User Defined Cycles		●	●	●	●
4 Axis Drilling			●	●	●
4 Axis Tapping			●	●	●
4 Axis Boring			●	●	●
4 Axis Reverse Boring			●	●	●

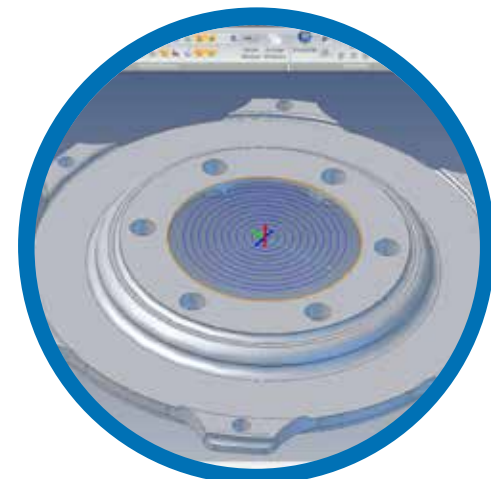
Simulation	XPR	STD	EXP	PRO	PRE
Toolpath Animation	●	●	●	●	●
Cut Material Simulation	●	●	●	●	●
Advanced Cut Material Simulation		●	●	●	●
Machine Tool Simulation			●	●	●

Tools	XPR	STD	EXP	PRO	PRE
Standard Mills (Ball, Flat, C Rad., Vee)	●	●	●	●	●
Standard Drills (Drill, Tap, Bore, Rev. Bore)		●	●	●	●
Holder Collision Detection		●	●	●	●
Form Tools		●	●	●	●

Toolpath Editing	XPR	STD	EXP	PRO	PRE
Toolpath Graphical Viewing	●	●	●	●	●
Toolpath Graphical Editing				●	●
Toolpath Instancing				●	●
Toolpath Arc Fitting				●	●
Feed Rate Optimization				●	●

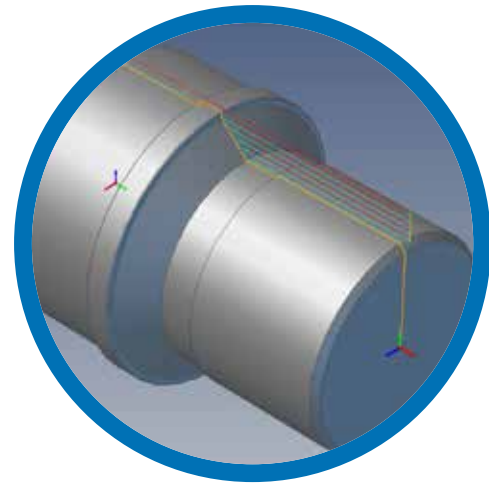
Post Processor Generator	XPR	STD	EXP	PRO	PRE
Customizable Post Generator	●	●	●	●	●
Simulate Cycles	●	●	●	●	●
Arc Output	●	●	●	●	●
Helix Output	●	●	●	●	●
Spiral Output	●	●	●	●	●
5 Axis Output				●	●

Miscellaneous	XPR	STD	EXP	PRO	PRE
64 Bit	●	●	●	●	●
HTML Based Shop Documentation		●	●	●	●
Stepped Tooling		●	●	●	●
Knowledge Base		●	●	●	●
Default Knowledge Base		●	●	●	●
Avoid/Pre-Defined Regions		●	●	●	●
Machine Control Operations		●	●	●	●
Explode Cabinet Model		●	●	●	●
Rotate Table Setups			●	●	●
Multiple Setups				●	●
Fixture Offset Programming				●	●
Check Surface Boundary Creation				●	●
Tool Silhouette Boundary Creation				●	●
Tool Double Contact Boundary Creation				●	●
Tool Holder Collision Boundary Creation				●	●



AlibreCAM - TURN

The AlibreCAM-TURN module is used to program 2-axis CNC turning centers or lathes. Includes powerful 2 Axis turning machining methods to handle complex programming tasks. Just as in AlibreCAM - MILL, the easy interface, allows a user to machine a part in very short time. One of the best value packed lathe products available today.

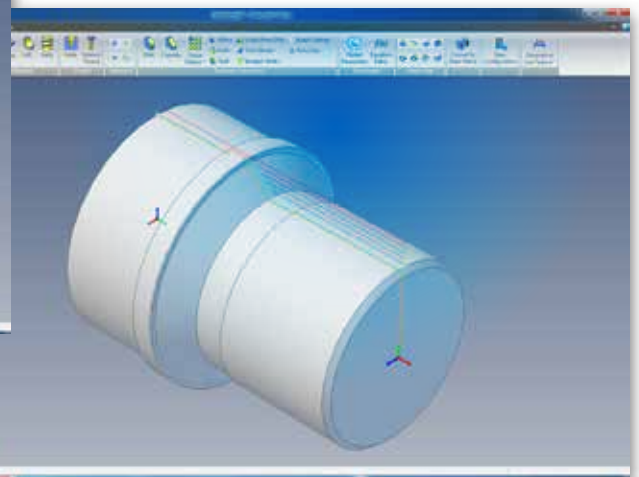
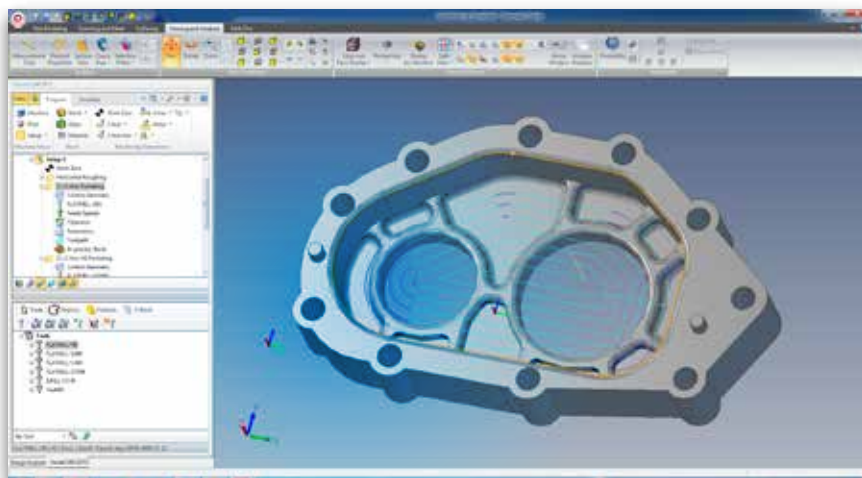


2 Axis Turning	TURN
Roughing	●
Finishing	●
Groove Roughing	●
Groove Finishing	●
Threading	●
Follow Curve	●
Parting Off	●
Upgraded 3D Model Slicing	●
Global Part Object	●
Materials for Stock Models	●
Knowledge Base Loading and Saving	●
Tool Path Viewer	●
MopSets	●
Machine Control Operations	●
Fixture Offset Operations	●
Drag and drop operations from Knowledge Base	●
Diameter programming	●

Hole Making	TURN
Drilling	●
Tapping	●
Boring	●
Reverse Boring	●

Toolpath Simulation	TURN
Toolpath Animation	●
Cut Material Simulation	●
Part to Stock Comparison	●

Post-Processor Generator	TURN
User customizable post-processor generator	●



System Requirements

- Only available in 64 bit version
- Alibre Design Versions: 2018
- CPU: Pentium class or higher processor
- RAM: Minimum: 1GB, Recommended: 4GB or higher
- Disk: 700 MB of free disc space
- Graphics: Requires OpenGL, Recommended OpenGL 2

Other

- [Free Technical Support](#)
- [Training](#)
- [Support Forum](#)
- [Maintenance Services](#)
- [Value Pricing](#)